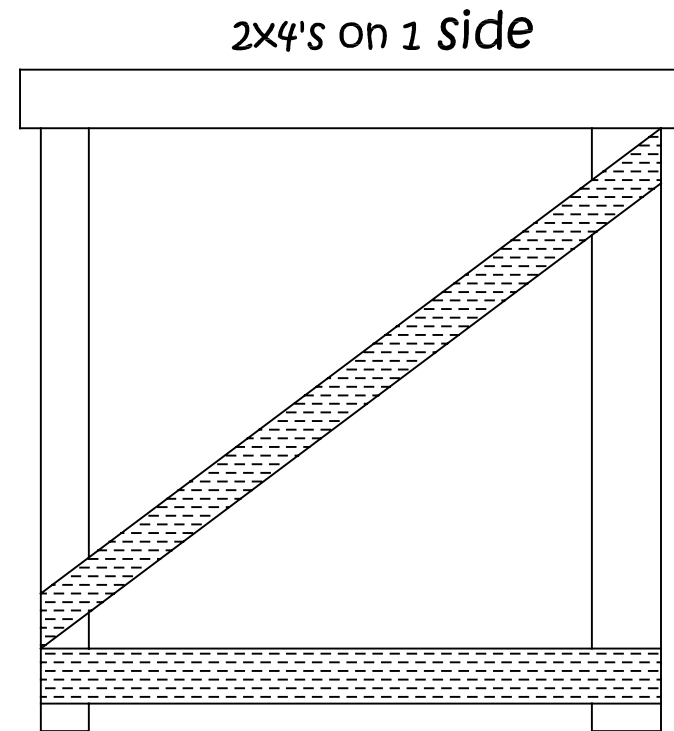
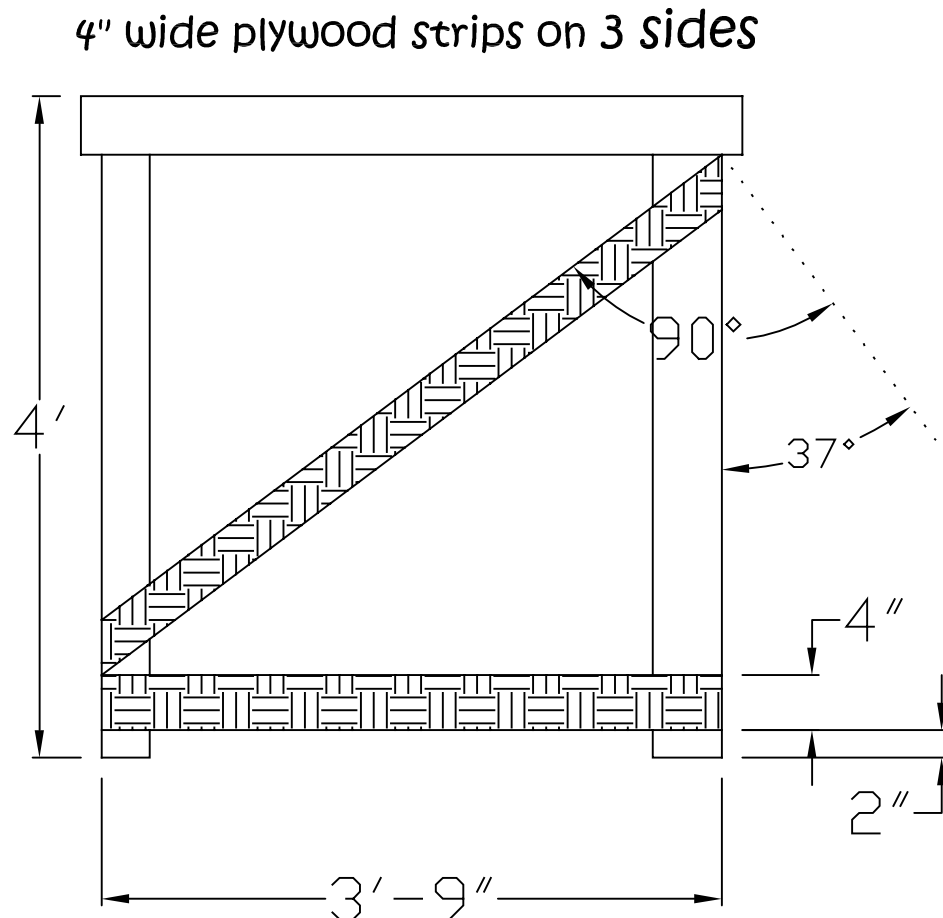


- Three sides are braced with 4" strips of $\frac{3}{4}$ " plywood. (Use older or scrap plywood for this; keep the new AC plywood for platform tops)
- One side is braced with 2x4's, so that the letters can be attached directly to the platform.
- The bottom horizontal brace is 2" from the bottom of the leg.
- Attach the brace with three to five evenly spaced 2" screws at each point. (3" screws through 2x4's)
- MAKE SURE THAT THE LEGS ARE LEVEL BEFORE ATTACHING THE BRACES.



Joseph and the Amazing Technicolor Dreamcoat	
Winston Churchill High School	Fall 2001
4x4 Platform Bracing: 4'	
Objects are in relative scale.	<i>Daniel Hoffman</i>